

# EuroMag Series PCB Mount Terminal Blocks

## EM3123 Series Euro-Mag Terminal Blocks 3.50 Centers; Modular

### SPECIFICATIONS

**Rating:** 6A, 300V

**Center Spacing:** 0.138" (3.50mm)

**Wire Range:** #16-26 AWG

**Housing Material:** Black Polyamide Type 6/6, 94V0

**Contact Material:** Tin-Plated Brass

**Wire Protector:** Stainless Steel

**Screw Size:** M2.0 Chromate Steel

**Operating Temperature:** 105°C (221°F) max., -33°C (-27°F) min.

**Torque Rating:** 2.5 lb-in.

**Recommended PCB Hole Diameters:** 0.055" (1.40mm)

**Construction:** Modular design features dovetails for interlocking to achieve longer lengths

**Agency Information:** e7 US File E62622; CE Certified

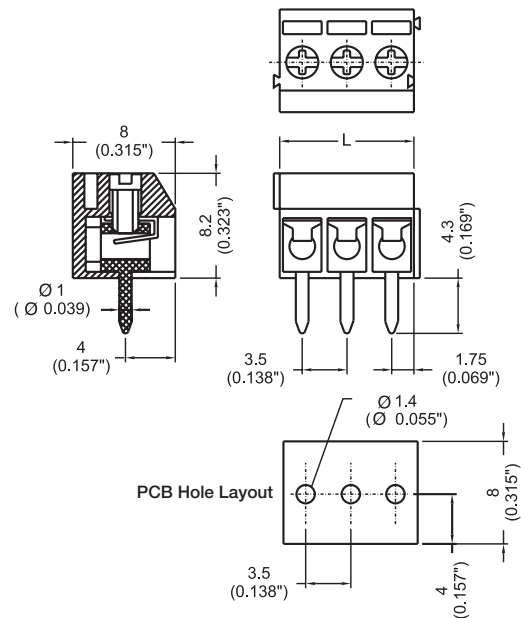


EM312305

| Poles | L (mm) | Poles | L (mm) |
|-------|--------|-------|--------|
| 2     | 7.0    | 14    | 49.5   |
| 3     | 10.5   | 15    | 52.5   |
| 4     | 14.0   | 16    | 56.0   |
| 5     | 17.5   | 17    | 59.5   |
| 6     | 21.0   | 18    | 63.0   |
| 7     | 24.5   | 19    | 66.5   |
| 8     | 28.0   | 20    | 70.0   |
| 9     | 31.5   | 21    | 73.5   |
| 10    | 35.0   | 22    | 77.0   |
| 11    | 38.5   | 23    | 80.5   |
| 12    | 42.0   | 24    | 84.0   |
| 13    | 45.5   |       |        |

To convert to inches, divide by 25.4

### Dimensions - mm (in)



## Part Numbering System

Series

# of Poles

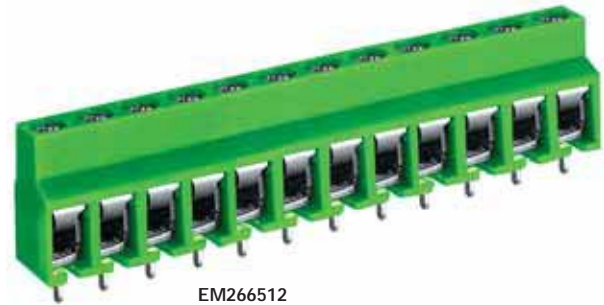


02 to 24

**EM2665 Series**  
**Euro-Mag Terminal Blocks**  
 5.00 Centers

**SPECIFICATIONS**

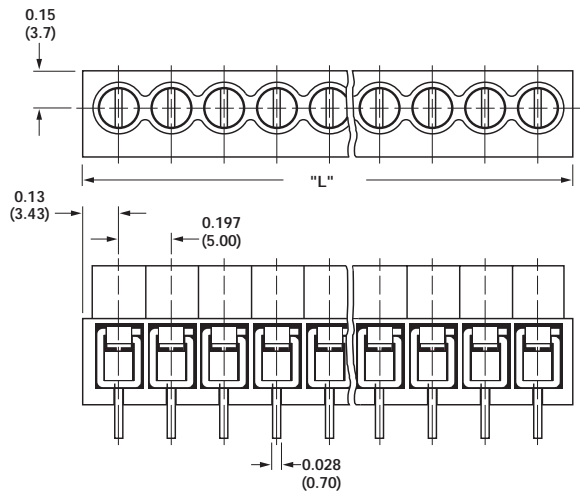
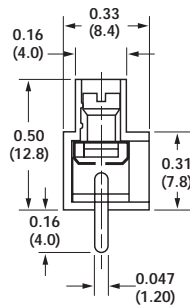
- Rating:** 10A, 300V
- Center Spacing:** 0.197" (5.00mm)  
 Consult factory for 0.394" (10.00mm)
- Wire Range:** #14-22 AWG
- Housing Material:** UL rated 94V0 Thermoplastic
- Contact Material:** Brass Tin-Plated
- Screw Size:** M3x5 Zinc-Plated Steel
- Operating Temperature:** 105°C (221°F) max., -40°C (-40°F) min.
- Torque Rating:** 7 lb-in.
- Recommended PCB Hole Diameters:** 0.055" (1.40mm)
- Construction:** Mold to Length
- Connector Style:** Spring Clamp
- Agency Information:** US File E62622; CE Certified



EM266512

| Position | L (mm) | Position | L (mm) |
|----------|--------|----------|--------|
| 02       | 10.0   | 14       | 70.0   |
| 03       | 15.0   | 15       | 75.0   |
| 04       | 20.0   | 16       | 80.0   |
| 05       | 25.0   | 17       | 85.0   |
| 06       | 30.0   | 18       | 90.0   |
| 07       | 35.0   | 19       | 95.0   |
| 08       | 40.0   | 20       | 100.0  |
| 09       | 45.0   | 21       | 105.0  |
| 10       | 50.0   | 22       | 110.0  |
| 11       | 55.0   | 23       | 115.0  |
| 12       | 60.0   | 24       | 120.0  |
| 13       | 65.0   |          |        |

To convert to inches, divide by 25.4



Also available in 10.00mm (EM2661XX).

**Part Numbering System**

Series                      # of Positions

**EM2665**                     

02 to 24

# EuroMag Series PCB Mount Terminal Blocks

## EM3660 Series Euro-Mag Terminal Blocks 5.00 Centers; Modular

### SPECIFICATIONS

Rating: 16A, 250V

Center Spacing: 0.197" (5.00mm)

Wire Range: #16-24 AWG

Housing Material: Blue Polyamide Type 6/6, 94V0

Contact Material: Tin-Plated Brass

Wire Protector: Stainless Steel

Screw Size: M3 Nickel-Plated Steel

Operating Temperature: 105°C (221°F) max., -33°C (-27°F) min.

Torque Rating: 4.0 lb-in.

Recommended PCB Hole Diameters: 0.055" (1.40mm)

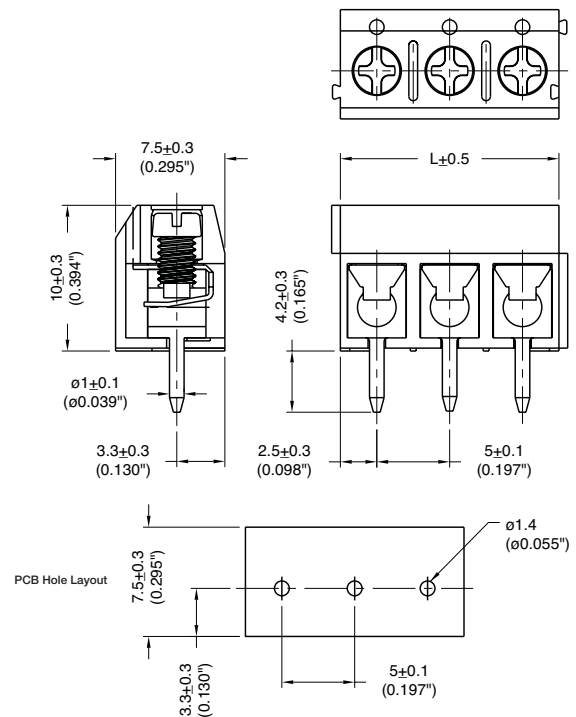
Construction: Modular design features dovetails for interlocking to achieve longer lengths

Agency Information:  File E62622; CE Certified



EM366005

### Dimensions - mm (in)



| Poles | L (mm) | Poles | L (mm) |
|-------|--------|-------|--------|
| 2     | 10.0   | 14    | 70.0   |
| 3     | 15.0   | 15    | 75.0   |
| 4     | 20.0   | 16    | 80.0   |
| 5     | 25.0   | 17    | 85.0   |
| 6     | 30.0   | 18    | 90.0   |
| 7     | 35.0   | 19    | 95.0   |
| 8     | 40.0   | 20    | 100.0  |
| 9     | 45.0   | 21    | 105.0  |
| 10    | 50.0   | 22    | 110.0  |
| 11    | 55.0   | 23    | 115.0  |
| 12    | 60.0   | 24    | 120.0  |
| 13    | 65.0   |       |        |

To convert to inches, divide by 25.4

## Part Numbering System

Series

# of Poles

EM3660

02 to 24

**EM3665 Series**  
**Euro-Mag Terminal Blocks**  
 5.00 Centers; Modular

**SPECIFICATIONS**

- Rating:** 10A, 300V
- Center Spacing:** 0.197" (5.00mm)
- Wire Range:** #16-22 AWG
- Housing Material:** UL rated 94V0 Thermoplastic
- Contact Material:** Tin-Plated Brass
- Screw Size:** M2.5x5 Zinc-Plated Steel
- Operating Temperature:** 105°C (221°F) max., -40°C (-40°F) min.
- Torque Rating:** 2.5 lb-in.
- Recommended PCB Hole Diameters:** 0.055" (1.40mm)
- Construction:** Modular design features dovetails for interlocking to achieve longer lengths
- Connector Style:** Spring Clamp
- Agency Information:** cULus File E62622; CE Certified

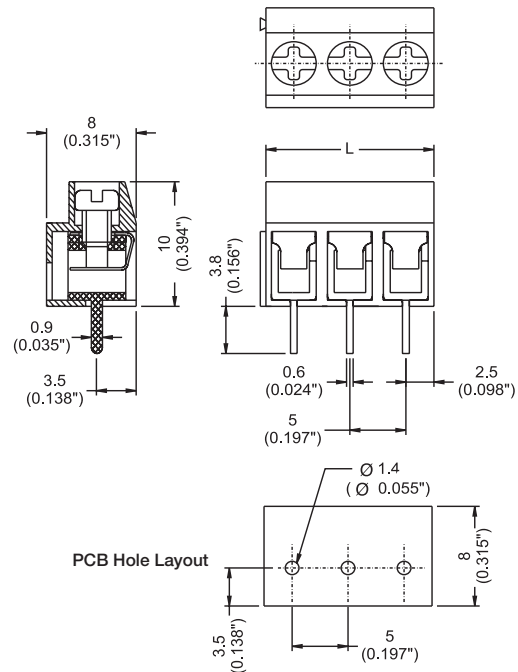


EM366512

| Poles | L (mm) | Poles | L (mm) |
|-------|--------|-------|--------|
| 2     | 10.0   | 14    | 70.0   |
| 3     | 15.0   | 15    | 75.0   |
| 4     | 20.0   | 16    | 80.0   |
| 5     | 25.0   | 17    | 85.0   |
| 6     | 30.0   | 18    | 90.0   |
| 7     | 35.0   | 19    | 95.0   |
| 8     | 40.0   | 20    | 100.0  |
| 9     | 45.0   | 21    | 105.0  |
| 10    | 50.0   | 22    | 110.0  |
| 11    | 55.0   | 23    | 115.0  |
| 12    | 60.0   | 24    | 120.0  |
| 13    | 65.0   |       |        |

To convert to inches, divide by 25.4

**Dimensions - mm (in)**



**Part Numbering System**



# EuroMag Series PCB Mount Terminal Blocks

## EM3675 Series Euro-Mag Terminal Blocks 5.00 Centers

### SPECIFICATIONS

Rating: 10A, 300V

Center Spacing: 0.197" (5.00mm)

Wire Range: #14-26 AWG

Housing Material: UL rated 94V0 Thermoplastic

Contact Material: Tin-Plated Brass

Screw Size: M2x6, Nickel-Plated Steel

Operating Temperature: 105°C (221°F) max., -40°C (-40°F) min.

Torque Rating: 4.0 lb-in.

Recommended PCB Hole Diameters: 0.055" (1.40mm)

Construction: Mold to Length

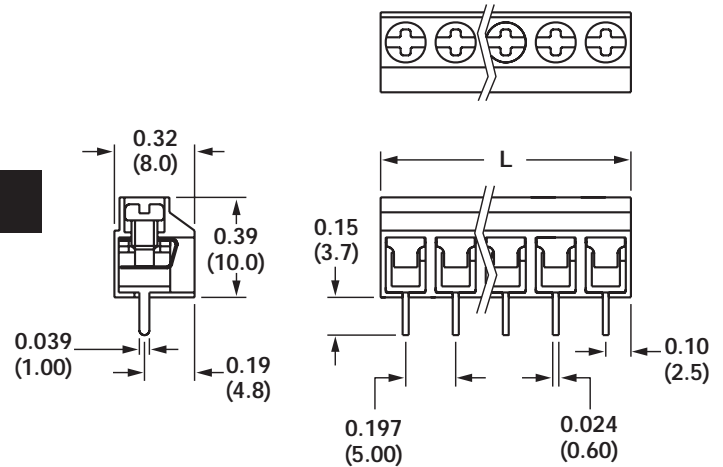
Connector Style: Spring Clamp

Agency Information:  File E62622; CE Certified



EM367512

### Dimensions - mm (in)



| Poles | L (mm) | Poles | L (mm) |
|-------|--------|-------|--------|
| 2     | 10.0   | 15    | 75.0   |
| 3     | 15.0   | 16    | 80.0   |
| 4     | 20.0   | 17    | 85.0   |
| 5     | 25.0   | 18    | 90.0   |
| 6     | 30.0   | 19    | 95.0   |
| 7     | 35.0   | 20    | 100.0  |
| 8     | 40.0   | 21    | 105.0  |
| 9     | 45.0   | 22    | 110.0  |
| 10    | 50.0   | 23    | 115.0  |
| 11    | 55.0   | 24    | 120.0  |
| 12    | 60.0   | 25    | 125.0  |
| 13    | 65.0   | 26    | 130.0  |
| 14    | 70.0   | 27    | 135.0  |

To convert to inches, divide by 25.4

## Part Numbering System

Series


# of Poles

EM3675

02 to 27

**EM3127 Series**  
**Euro-Mag Terminal Blocks**  
 7.50 Centers; Modular

**SPECIFICATIONS**

- Rating:** 10A, 300V
- Center Spacing:** 0.295" (7.50mm)
- Wire Range:** #14-22 AWG
- Housing Material:** Black Polyamide Type 6/6, 94V0
- Contact Material:** Tin-Plated Brass
- Wire Protector:** Stainless Steel
- Screw Size:** M3.0 Nickel-Plated Steel
- Operating Temperature:** 105°C (221°F) max., -33°C (-27°F) min.
- Torque Rating:** 3.5 lb-in.
- Recommended PCB Hole Diameters:** 0.055" (1.40mm)
- Construction:** Modular design features dovetails for interlocking to achieve longer lengths
- Agency Information:**  US File E62622; CE Certified

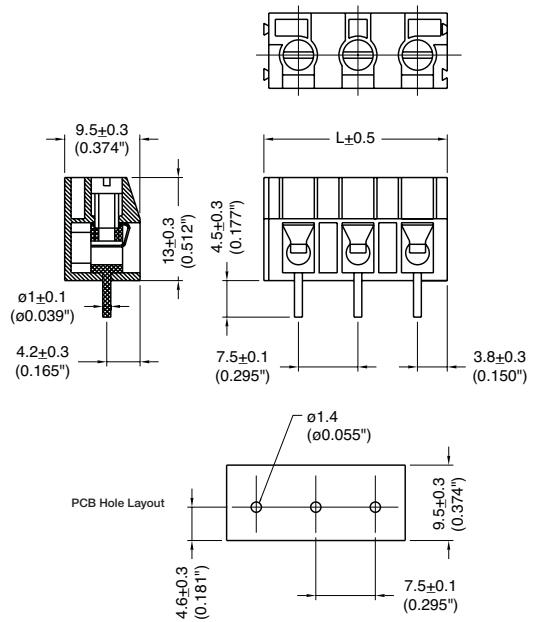


EM312705

| Poles | L (mm) | Poles | L (mm) |
|-------|--------|-------|--------|
| 2     | 15.0   | 14    | 105.0  |
| 3     | 22.5   | 15    | 112.5  |
| 4     | 33.0   | 16    | 120.0  |
| 5     | 37.5   | 17    | 127.5  |
| 6     | 45.0   | 18    | 133.0  |
| 7     | 52.5   | 19    | 142.5  |
| 8     | 60.0   | 20    | 150.0  |
| 9     | 67.5   | 21    | 157.5  |
| 10    | 75.0   | 22    | 165.0  |
| 11    | 82.5   | 23    | 172.5  |
| 12    | 90.0   | 24    | 180.0  |
| 13    | 97.5   |       |        |

To convert to inches, divide by 25.4

**Dimensions - mm (in)**



**Part Numbering System**



# EuroMag Series PCB Mount Terminal Blocks

## EM2661 Series Euro-Mag Terminal Blocks 10.00 Centers

### SPECIFICATIONS

Rating: 10A, 300V

Center Spacing: 0.394" (10.00mm)

Wire Range: #14-26 AWG

Housing Material: UL rated 94V0 Thermoplastic

Contact Material: Tin-Plated Brass

Wire Protector: Stainless Steel

Screw Size: M2.6 Chromate Steel

Operating Temperature: 105°C (221°F) max., -55°C (-40°F) min.

Torque Rating: 4.0 lb-in.

Recommended PCB Hole Diameters: 0.055" (1.40mm)

Construction: Mold-to-Length

Agency Information:  File E62622; CE Certified

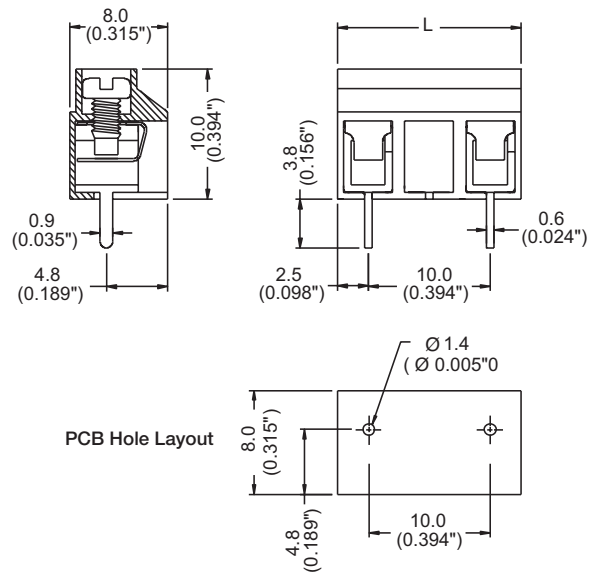


EM266106

| Poles | L (mm) | Poles | L (mm) |
|-------|--------|-------|--------|
| 2     | 15.0   | 8     | 75.0   |
| 3     | 25.0   | 9     | 85.0   |
| 4     | 35.0   | 10    | 95.0   |
| 5     | 45.0   | 11    | 105.0  |
| 6     | 55.0   | 12    | 115.0  |
| 7     | 65.0   | 13    | 125.0  |

To convert to inches, divide by 25.4

### Dimensions - mm (in)



## Part Numbering System

Series


# of Poles

EM2661

02 to 13

**EM3661 Series**  
**Euro-Mag Terminal Blocks**  
 10.00 Centers; Modular

**SPECIFICATIONS**

- Rating:** 10A, 300V
- Center Spacing:** 0.394" (10.00mm)
- Wire Range:** #14-26 AWG
- Housing Material:** UL rated 94V0 Thermoplastic
- Contact Material:** Tin-Plated Brass
- Wire Protector:** Stainless Steel
- Screw Size:** M2.6 Chromate Steel
- Operating Temperature:** 105°C (221°F) max., -55°C (-40°F) min.
- Torque Rating:** 4.0 lb-in.
- Recommended PCB Hole Diameters:** 0.055" (1.40mm)
- Construction:** Modular design features dovetails for interlocking to achieve longer lengths
- Agency Information:**  US File E62622; CE Certified

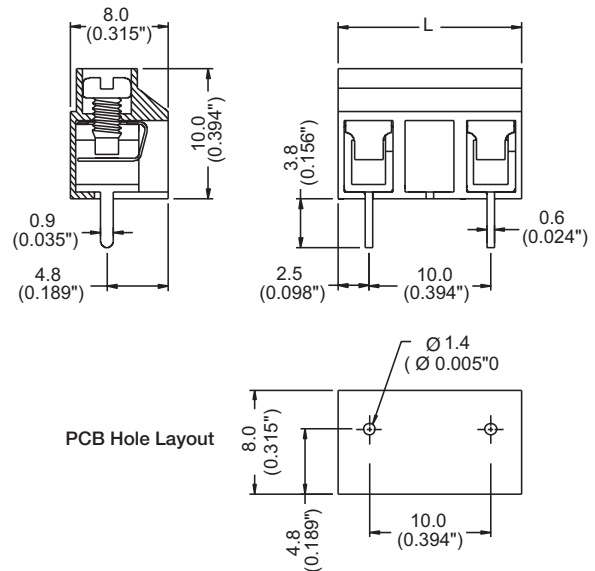


EM366102

| Poles | L (mm) | Poles | L (mm) |
|-------|--------|-------|--------|
| 2     | 15.0   | 9     | 50.0   |
| 3     | 20.0   | 10    | 55.0   |
| 4     | 25.0   | 11    | 60.0   |
| 5     | 30.0   | 12    | 65.0   |
| 6     | 35.0   | 13    | 70.0   |
| 7     | 40.0   | 14    | 75.0   |
| 8     | 45.0   |       |        |

To convert to inches, divide by 25.4

**Dimensions - mm (in)**



**Part Numbering System**





# EuroMag Series PCB Mount Terminal Blocks

## EM3671 Series Euro-Mag Terminal Blocks 10.00 Centers

### SPECIFICATIONS

Rating: 10A, 300V

Center Spacing: 0.394" (10.00mm)

Wire Range: #14-26 AWG

Housing Material: UL rated 94V0 Thermoplastic

Contact Material: Tin-Plated Brass

Wire Protector: Stainless Steel

Screw Size: M2.6 Chromate Steel

Operating Temperature: 105°C (221°F) max., -55°C (-40°F) min.

Torque Rating: 4.0 lb-in.

Recommended PCB Hole Diameters: 0.055" (1.40mm)

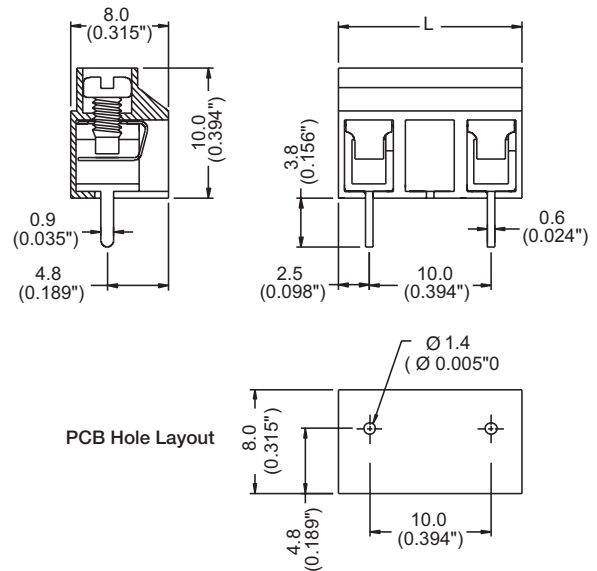
Construction: Mold-to-Length

Agency Information: e<sup>2</sup>us File E62622; CE Certified



EM367106

### Dimensions - mm (in)



| Poles | L (mm) | Poles | L (mm) |
|-------|--------|-------|--------|
| 2     | 15.0   | 8     | 75.0   |
| 3     | 25.0   | 9     | 85.0   |
| 4     | 35.0   | 10    | 95.0   |
| 5     | 45.0   | 11    | 105.0  |
| 6     | 55.0   | 12    | 115.0  |
| 7     | 65.0   | 13    | 125.0  |

To convert to inches, divide by 25.4

## Part Numbering System

Series

# of Poles

EM3671

□□

02 to 13